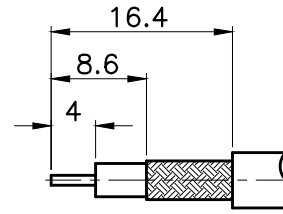
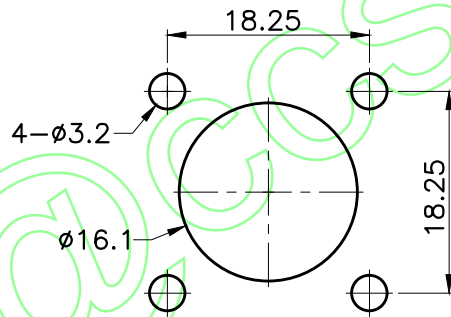
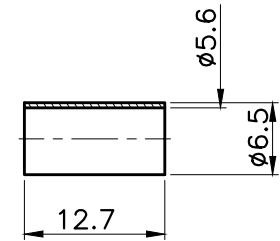
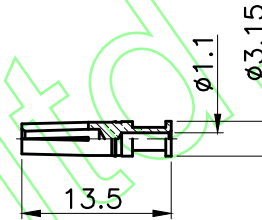
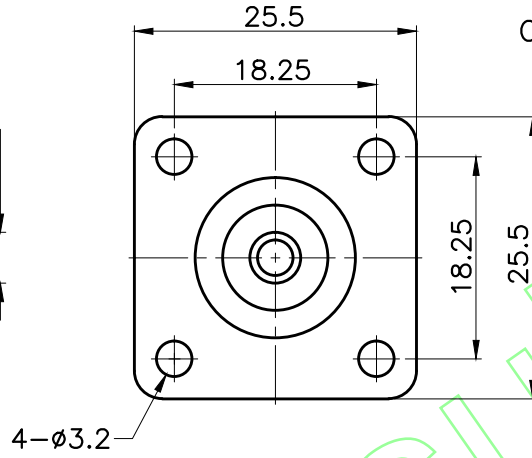
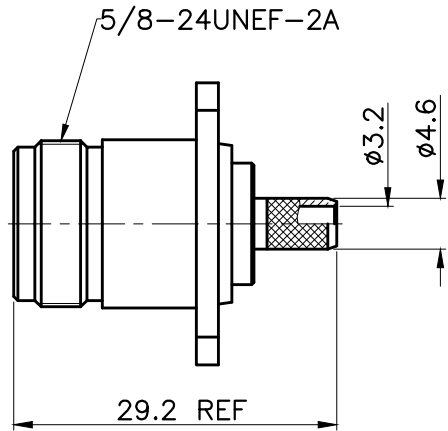


REVISIONS		
ISS	DESCRIPTION	DATE

RoHS COMPLIANT



RECOMMENDED
CABLE STRIPPING DIM'S



MOUNTING HOLE

1. CRIMPED FERRULE
HEX CRIMP SIZE .213"
2. CRIMPED CONTACT PIN
HEX CRIMP SIZE .068"

CONNECTORS CABLES



SPECIALISTS LTD.

APRD:	UNLESS OTHERWISE SPECIFIED TOLERANCES 0.5-6 = ±0.2 >6-30 = ±0.4 >30-120 = ±0.6 >120-315 = ±1 >315-1000 = ±1.6 ANGLES = ±5°			
CHKD:				
DR:		FERRULE	BRASS	NICKEL
TITLE: N FEMALE CRIMP PANEL RECEPTACLE(FOR RG58)		CONTACT PIN	BRASS	GOLD
PART NO: NPAJCR5801	029	INSULATOR	TEFLON	WHITE
DRAWING NO:		BODY	BRASS	NICKEL
		NO. DESCRIPTION	MATERIAL	FINISH